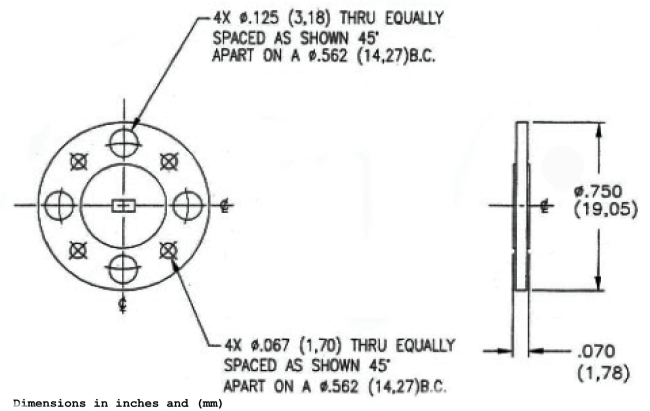
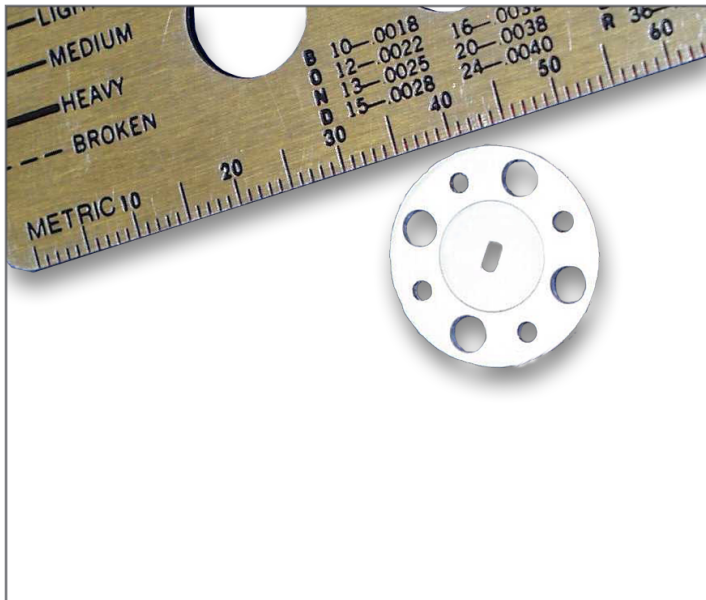


## CPI Electron Device Business - Quartz Pressure Window



W-Band quartz pressure window.

With a history of producing high quality products, we can help you with your pressure windows.

Contact us at [ElectronDevices@cpi-edb.com](mailto:ElectronDevices@cpi-edb.com) or call us at +1 978-922-6000.

### FEATURES:

- Frequency Range: 92.0 - 96.0 GHz
- VSWR: 1.30:1 max across band  
1.10:1 max at 94 GHz
- Insertion Loss: 0.18 dB max.
- Vacuum tight to 10<sup>-8</sup>
- Finish: Silver plate
- WG Size: WR10